

 **SP. A.**

WARRANTY  
**3**  
YEARS  
WARRANTY



**RENAULT  
KWID**  
available with CNG



SALES &  
SERVICE  
SALES

Cuddalore | Villupuram | Kallakurichi  
Chidambaram | Neyveli | Virudhachalam

  **88 99 110 110**  
We are open on Sundays

# standing out SUV

Always ready for adventure, Renault Kwid delivers a one-of-a-kind experience: a compact SUV design with 184 mm ground clearance, iconic urban style, 5-seat interior, and 279L of boot space (expandable up to 620L). Agile, dynamic and equipped with smart technology features, it offers you great driving moments.



With 16 standard safety features, a multimedia touchscreen, and an efficient engine, Renault Kwid brings together everything you need.

20.32 cm  
touchscreen  
mediaNAV

LED digital  
instrument  
cluster

279L boot space  
(expandable up  
to 620L)

184 mm  
ground  
clearance

16 standard  
safety features

# **interactive menu**

**01. design**

**02. smart technologies**

**03. habitability**

**04. safety**

**05. customisation**

## 01. design

# bold by design

**Compact and eye-catching, the design captivates with its distinctive style, featuring body protectors, a 184 mm ground clearance, and two-tone body colour options. Its 35.56 cm wheels sharpen the sporty character, ready to conquer the city.**



**build yours →**

**menu ↑**

# life's better onboard

Experience the road differently with Renault Kwid's technology. The multimedia system with a 20.32 cm touchscreen provides easy access to smartphone mirroring and vehicle information. The digital dashboard streamlines your driving experience, while the rearview camera simplifies manoeuvring.



Android Auto™ and Apple CarPlay™<sup>(1)</sup> compatibility lets you access all your apps, playlists, and calls directly on the multimedia touchscreen.



<sup>(1)</sup>Android Auto™ is a trademark of Google Inc. brand. Apple CarPlay™ is a trademark of Apple Inc.

[build yours →](#)

[menu ↑](#)

## the room you need

**Compact on the outside, spacious and comfortable on the inside, Renault Kwid accommodates up to 5 passengers. The high ground clearance provides a better view of the road, and the adjustable boot space offers greater versatility.**



[build yours →](#)

[menu ↑](#)

## 04. safety



# 16 standard safety features



### rearview camera<sup>(1)</sup>

Shows a view of the rear on the screen when you engage reverse gear. The guides make manoeuvring easier and safer.



### tyre pressure monitoring system

Displays the tyre pressure status in real-time.



### hill start assist<sup>(2)</sup>

Maintains brake pressure for few seconds, preventing rollback when you move away on a steep slope.



### traction control system

Limits wheel slip during starting, acceleration and braking.



### six airbags<sup>(3)</sup>

Six airbags offer increased protection.

### 16 standard safety features

- driver & passenger seat belt reminder
- rear seat belt reminder
- electronic stability program
- traction control system
- tyre pressure monitoring system
- speed alert warning
- front seat belts with load limiter
- seat belt with pretensioner (driver only)
- front driver airbag
- front passenger airbag
- new 3-point seat belts - all seats
- reverse parking sensors<sup>(4)</sup>
- ABS
- EBD with brake assist
- pedestrian protection
- rear door child lock

<sup>(1)</sup>rearview camera available in techno and climber variants only

<sup>(2)</sup>hill start assist available in AMT variants only

<sup>(3)</sup>six airbags available in climber variant only

<sup>(4)</sup>reverse parking sensors available till evolution variant only

[build yours →](#)

[menu ↑](#)

## 05. customisation

# colours



**fiery red with mystery black roof**



**zanskar blue with mystery black roof**



**ice cool white with mystery black roof**



**moonlight silver with mystery black roof**

photos are not contractually binding

also available in monotone colours of fiery red, zanskar blue, outback bronze, moonlight silver, and ice cool white

**build yours →**

**menu ↑**

# accessories



**3D floor mat**

Keep your car floor spotless and well-maintained with our high-quality, stylish cabin mat.



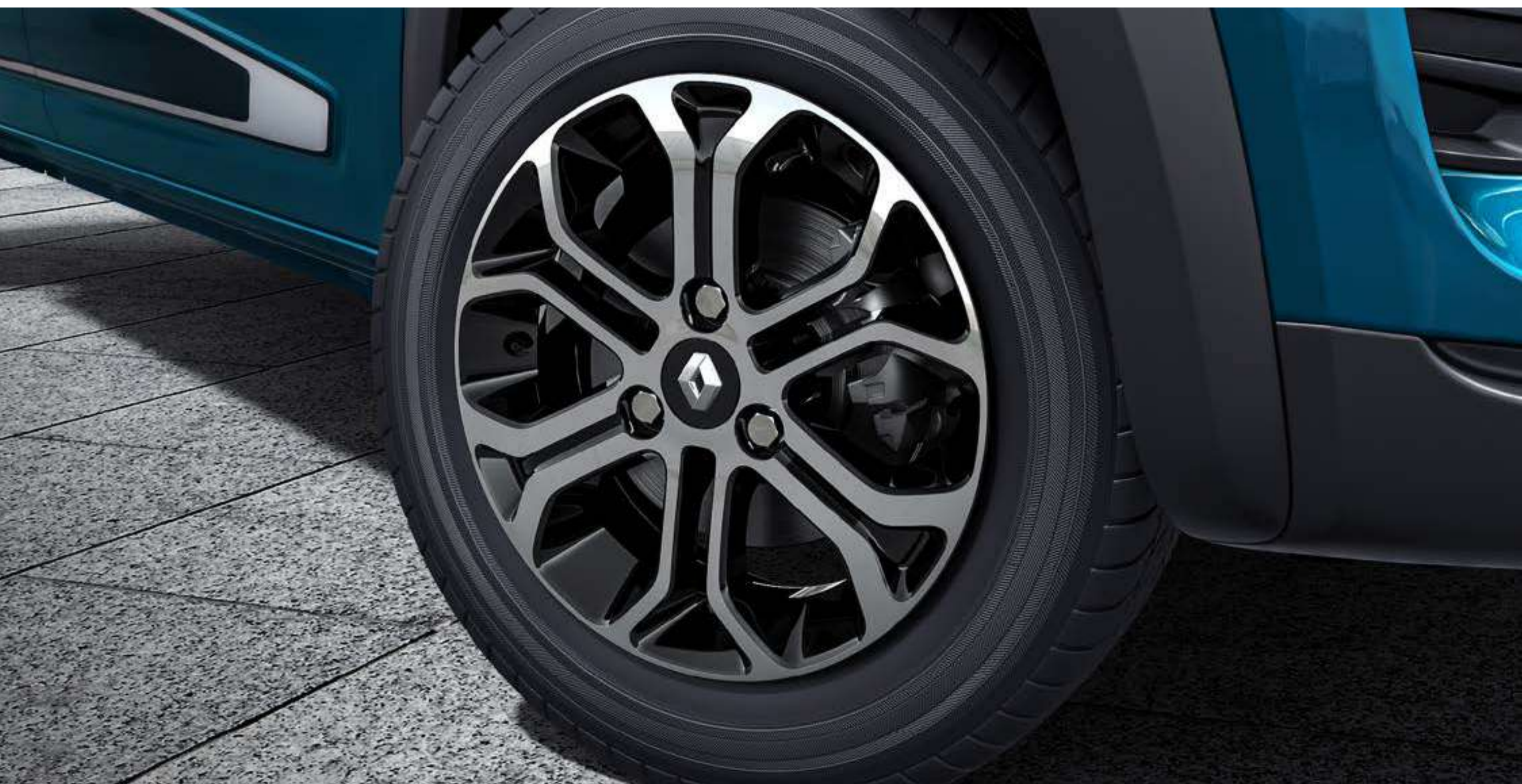
**front chrome grille**

The right touch of chrome can noticeably elevate the look of your car.



**roof rails**

Add to the style and utility of your Renault Kwid with the sturdy roof rails.



**alloy wheels**

Sporty and durable alloy wheels enhance the attractiveness of your car.

[build yours →](#)

[menu ↑](#)

## 05. customisation

# equipment

### authentic: MT

#### exterior design

- body colour bumpers
- stylised graphite grille
- integrated roof spoiler
- silver streak LED DRLS

#### interior design

- grey melange fabric upholstery
- internally adjustable ORVMs
- stylised gear knob
- gear knob bellow
- black centre fascia

#### comfort and technology

- electric power steering
- rear seats - foldable backrest
- sunvisor - co-driver

#### safety

- driver & passenger seat belt reminder
- rear seat belt reminder
- electronic stability program
- traction control system
- tyre pressure monitoring system
- speed alert warning
- front seat belts with load limiter
- seat belt with pretensioner (driver only)
- front driver airbag
- front passenger airbag

- black wheel hub caps
- side indicators on wheel arch claddings

- LED digital instrument cluster
- on-board trip computer

- new 3-point seat belts - all seats
- reverse parking sensors<sup>(1)</sup>
- ABS
- EBD with brake assist
- pedestrian protection
- rear door child lock

### evolution: (authentic+) MT & easy-R AMT

#### exterior design

- stylised door decals
- full wheel cover - sparkling silver

#### interior design

- piano black centre fascia
- chrome multimedia surround
- chrome inserts on HVAC control panel and air vents

#### comfort and technology

- manual air conditioning with heater
- pollen filter
- front power windows
- rear grab handles
- intermittent front wiper & auto wiping while washing
- traffic assistance mode (AMT)
- cabin light with theatre-dimming
- 12V power socket (front)

#### safety

- hill start assist<sup>(3)</sup>
- speed sensing auto door locking
- impact sensing door unlock

- 20.32 cm touchscreen with Android Auto™ & Apple CarPlay™<sup>(2)</sup>
- USB & aux-in ports
- front speakers (x2)
- antenna
- remote keyless entry with central locking

### techno: (evolution+) MT & easy-R AMT

#### exterior design

- graphite grille with chrome inserts
- sparkling silver ORVMs with turn indicators
- B-pillar appilique
- tail lamps with LED light guides

#### interior design

- crossway fabric upholstery with red stitch lines
- stylised shiny black gear knob with chrome embellisher and red stitched bellow

#### comfort and technology

- steering mounted audio controls
- rear power windows
- electrically adjustable ORVMs
- day-night IRVM
- rear parcel shelf
- rearview camera

### climber: (techno+) MT & easy-R AMT

#### exterior design

- sporty white ORVMs with turn indicators
- door protection cladding
- dual tone multi-spoke flex wheels
- SUV styled front & rear skid plates with white inserts
- headlamp protectors with white accents

#### interior design

- metal mustard and white upholstery with striped embossing
- chrome parking brake button
- chrome inner door handles
- front door panel with white deco
- stylised shiny black gear knob with white embellisher and white stitched bellow
- white AMT dial surround
- white multimedia surround

- arching roof rails with white inserts
- climber insignia on front doors - single tone
- climber 2D insignia on C-pillar - dual tone
- dual tone body colour options

#### comfort and technology

- 12V power socket - rear

#### safety

- new 2 side airbags
- new curtain airbags

<sup>(1)</sup>reverse parking sensors available till evolution variant only

<sup>(2)</sup>Android Auto™ is a trademark of Google Inc. Apple CarPlay™ is a trademark of Apple Inc.

<sup>(3)</sup>hill start assist available in easy-R AMT variant only

build yours →

menu ↑

## 05. customisation

# engine

technical specifications	Authentic	Evolution	Techno	Climber
<b>engine &amp; transmission</b>	1.0 SCe MT	1.0 SCe MT & easy-R AMT	1.0 SCe MT & easy-R AMT	1.0 SCe MT & easy-R AMT
displacement (cc)		999		
number of cylinders		3		
maximum power output (ps@rpm)		69 @ 5,500		
maximum torque (nm@rpm)		92.5 @ 4,250		
transmission type		5-speed manual synchromesh		
<b>steering</b>				
type		electric power steering		
<b>suspension</b>				
type-front		MacPherson strut with lower transverse link		
type-rear		twist beam suspension with coil spring		
<b>brake</b>				
front		disc		
rear		drum		
<b>wheels and tyres</b>				
tyre size (mm)		165/70		
wheel rim (cm)		35.56		
<b>dimensions &amp; capacities</b>				
overall length (mm)		3,731		
overall width (mm)		1,579		
overall height (mm)		1,474	1,490 (with roof rails)	
front track (mm)		1,392		
rear track (mm)		1,365		
fuel tank capacity (litres)		28		
ground clearance in unladen condition (mm)		184		
<b>boot space (L)</b>		279		

## 05. customisation

# equipment and options

	authentic energy:MT	evolution energy:MT & easy-R AMT	techno energy:MT & easy-R AMT	climber energy:MT & easy-R AMT
<b>exterior design</b>				
stylised graphite grille	■	■	chrome inserts	chrome inserts
body colour bumpers	■	■	■	■
integrated roof spoiler	■	■	■	■
side indicators on wheel arch claddings	■	■	-	-
ORVMs with turn indicators	-	-	■	■
wheel cover	hub cap cover	full wheel cover	full wheel cover	dual tone multi-spoke flex wheels
stylised door decals	-	■	■	-
door protection cladding	-	-	-	■
silver streak LED DRLs	■	■	■	■
tail lamps with LED light guides	-	-	■	■
B-pillar applique	-	-	■	■
arching roof rails with white inserts	-	-	-	■
SUV-styled front & rear skid plates with white inserts	-	-	-	■
climber insignia on front doors - single tone	-	-	-	■
climber 2D insignia on C-pillar - dual tone	-	-	-	■
headlamp protectors with white accents	-	-	-	■
dual tone body colour options	-	-	-	■
<b>interior design</b>				
fabric upholstery	grey melange	grey melange	crossway fabric with red stitch lines	metal mustard & white with striped embossing
stylised gear knob with bellow	■	■	-	-
stylised shiny black gear knob	-	-	chrome embellisher & red stitched bellow	white embellisher & white stitched bellow
centre fascia	black	piano black	piano black	piano black
multimedia surround	-	chrome	chrome	white
chrome inserts on HVAC control panel and air vents	-	■	■	■
AMT dial surround	-	chrome	chrome	white
front door panel with white deco	-	-	-	■
chrome parking brake button	-	-	-	■
chrome inner door handles	-	-	-	■
<b>comfort and technology</b>				
antenna	-	■	■	■
intermittent front wiper & auto wiping while washing	-	■	■	■
on-board trip computer	■	■	■	■
electric power steering	■	■	■	■
rear seats - foldable backrest	■	■	■	■
sunvisor (co-driver)	■	■	■	■
lane change indicator	■	■	■	■
manual air conditioning with heater – 4-speed / 5-mode	-	■	■	■
ORVMs adjustment	internally adjustable	internally adjustable	electrically adjustable	electrically adjustable
power windows	-	front	front & rear	front & rear
rear parcel shelf	-	-	■	■
rear grab handles	-	■	■	■
pollen filter	-	■	■	■
remote keyless entry with central locking	-	■	■	■
steering mounted audio controls	-	-	■	■
rearview camera with guidelines	-	-	■	■
cabin light with theatre-dimming	-	■	■	■
12V power socket	-	front	front	front & rear
20.32 cm touchscreen mediaNAV with Android Auto™ & Apple CarPlay™	-	■	■	■
USB and aux-in ports	-	■	■	■
front speakers (x2)	-	■	■	■
LED digital instrument cluster	■	■	■	■
fast USB charger	-	-	■	■
traffic assistance mode (only AMT)	-	■	■	■
day-night IRVM	-	-	■	■
<b>safety</b>				
rear seat belt reminder	■	■	■	■
front seat belts with load limiter	■	■	■	■
reverse parking sensors	■	■	-	-
seat belt with pre-tensioner (driver only)	■	■	■	■
electronic stability program	■	■	■	■
traction control system	■	■	■	■
tyre pressure monitoring system	■	■	■	■
front driver airbag	■	■	■	■
front passenger airbag	■	■	■	■
pedestrian protection	■	■	■	■
speed alert warning	■	■	■	■
driver & passenger seat belt reminder	■	■	■	■
ABS + EBD with brake assist	■	■	■	■
rear door child lock	-	■	■	■
hill start assist (only AMT)	-	■	■	■
speed sensing door locking	-	■	■	■
3-point seat belts - all seats (new)	■	■	■	■
2 side airbags (new)	-	-	-	■
curtain airbags (new)	-	-	-	■
impact sensing door unlock	-	■	■	■

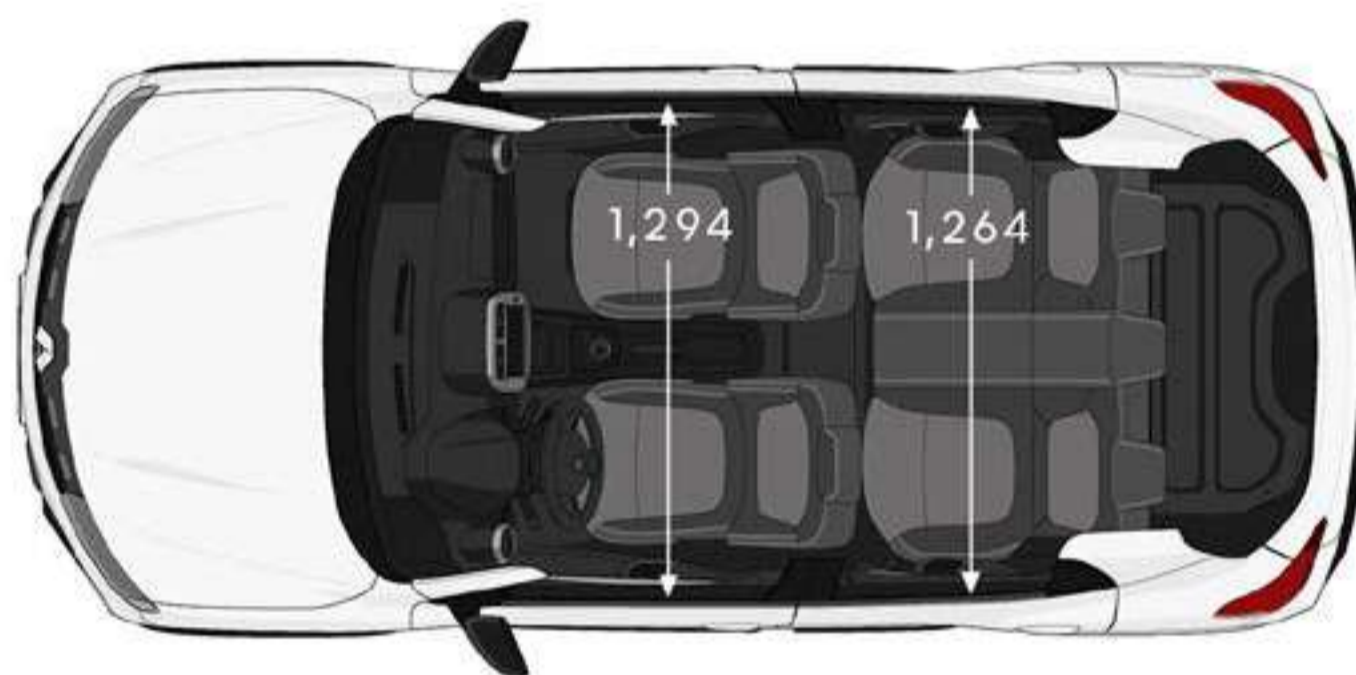
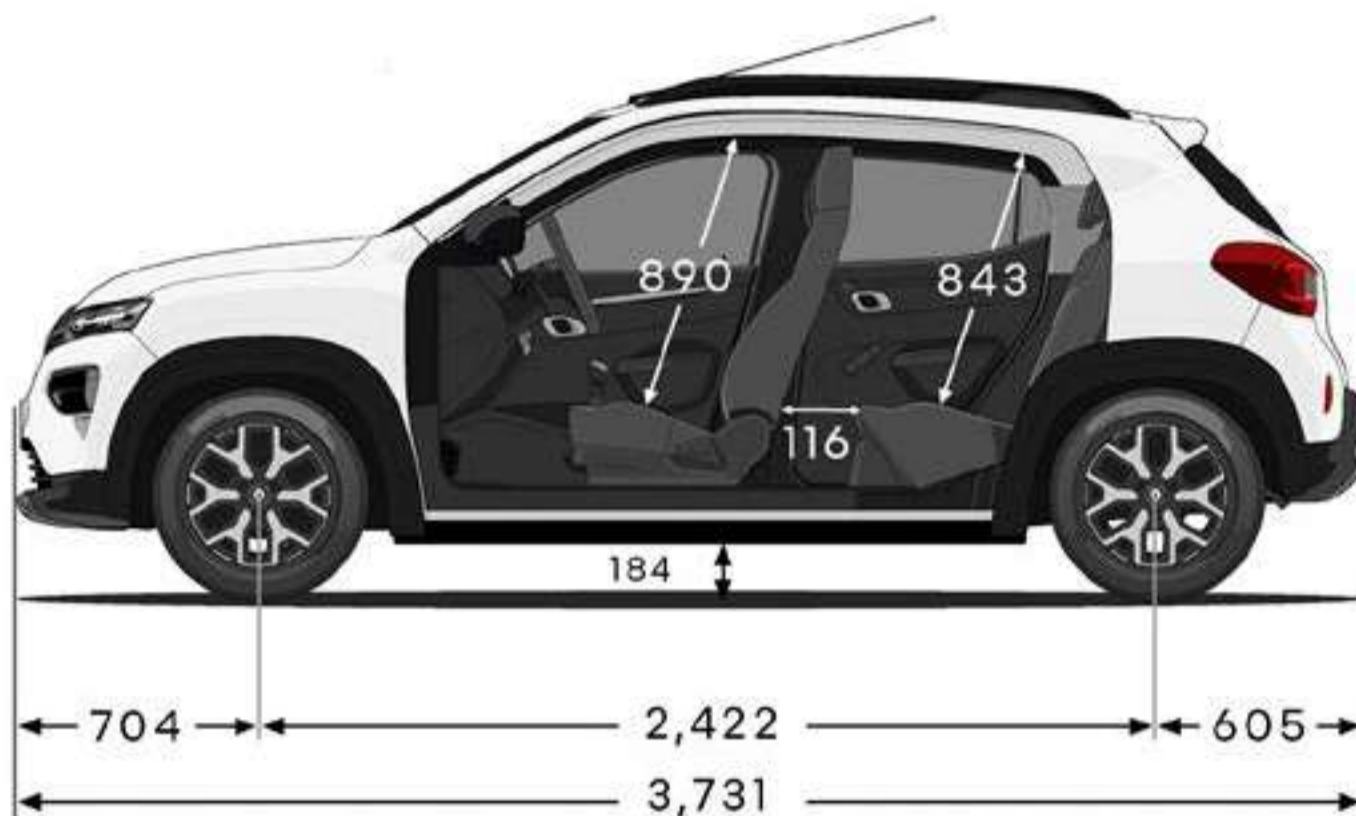
■ = standard; - = not available

Android Auto™ is a trademark of Google Inc. Apple CarPlay™ is a trademark of Apple Inc.

**build yours →**

**menu ↑**

# dimensions and volumes



dimensions in mm

[build yours →](#)

[menu ↑](#)

**the human first program is a comprehensive safety program developed by Renault in collaboration with researchers, experts and fire-fighters.**

**because road safety is the business of all road users – be they pedestrians, cyclists or motorists – the human first program by Renault undertakes to:**

- 1. prevent accidents by developing safety equipment and advanced driving and safety assistance systems**  
up to 32 advanced driving assistance systems / more than 60 safety systems, up to 7 airbags, child seats (Isofix), Renault's Fixe4sure solution / more than 2,000 safety-related patents filed since 1970
- 2. manage accidents once they have happened by drawing on innovations developed in collaboration with fire-fighters**  
QRescue / Fireman Access / more than 5,000 fire-fighters trained over the past 10 years in 20 countries throughout the world / around 400 cars given per year for their training
- 3. reduce the number of accidents and their severity by investing massively in R&D**  
safety score / safety coach / connected services / big data / artificial intelligence and cybersecurity systems

**find out more about the human first program**

# now with CNG

**Upgrade your car with a government-approved CNG kit<sup>(1)</sup>, available for retrofitment across manual transmission variants. Transition to a cost-efficient driving experience with Renault Kwid CNG.**

**Enjoy complete peace of mind with a standard warranty of 3 years / 100 000 kms and no RC endorsement hassle. Unlock significant fuel savings and drive with ease.**



<sup>(1)</sup>government-approved CNG kit fitment option is available within Renault network in select states. the CNG kit comes with a 3-year / 100 000 kms standard warranty (whichever occurs earlier). CNG kit can be fit on all manual transmission variants except the Limited Edition (10th Anniversary Edition). features depicted in the advertisement may vary based on the model / Limited Edition. corporate / PSU / defence personnel / government employee / professional benefits applicable on each model are basis eligibility of the customer and based on submission of required proof by the customer.

# Renault care service

**We are always by your side to make your driving experience easier and save you time maintaining your Renault. Renault vehicles come with a standard warranty of 3 years or 100 000 kms, whichever is earlier. We'll give you online estimates and appointments, service packages, maintenance contracts, insurance and assistance, the My Renault personalised program and more simple, easy solutions perfectly tailored to your needs.**

**[find out more about Renault care service](#)**

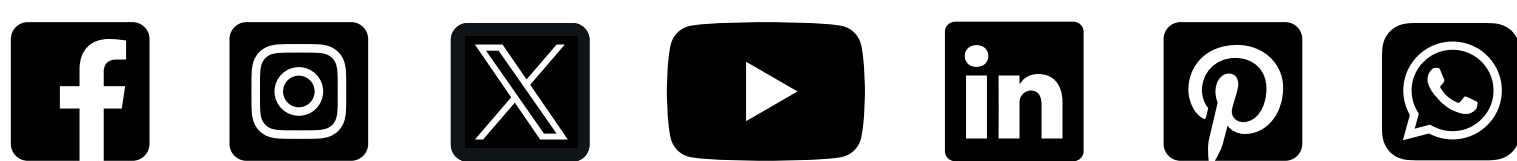


every precaution has been taken to ensure that this publication was accurate and up-to-date when printed. this document was created using pre-production and prototype models. in line with its policy of continuous product improvement, Renault reserves the right to modify the specifications, vehicles and accessories described and featured at any time. any such modifications are communicated to Renault dealers as quickly as possible. depending on the country of sale, versions may differ, and certain equipment may be unavailable (as standard, optional or as an accessory). please contact your nearest dealer for the latest information. for technical printing reasons, the colours featured in this document may differ slightly from those of the actual paintwork or interior trim. all rights reserved. reproduction in any format and by any means of all or part of this publication is prohibited without prior written authorisation from Renault.

Publicis - photo credits: Recom Paris - © Renault Marketing 3D-Commerce

[www.renault.co.in](http://www.renault.co.in)  
Call: 1800 315 4444

Renault recommends  Castrol



**build yours →**

**menu ↑**